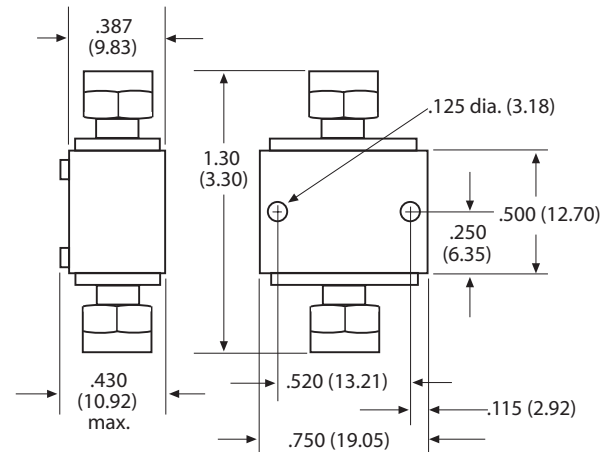


PART NUMBER: RPAX-25

FREQUENCY RANGE	ATTENUATION ACCURACY (dB)	VSWR (max.)
DC - 2 GHz	DC-2GHz	1.15:1 DC to 2.0 GHz
	±0.3	

25 WATTS (200 watts peak)

When mounted to a heat sink maintaining case temp at 100°C max.
Connector SMA.



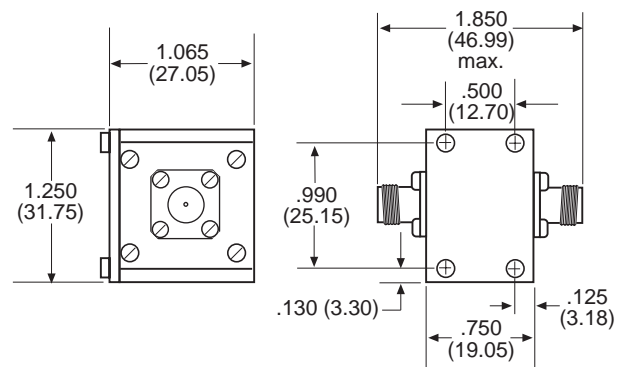
1 to 20 dB

PART NUMBER: RPAX-50 / RPAX-100

FREQUENCY RANGE	ATTENUATION ACCURACY (dB)	VSWR (max.)
DC - 1 GHz	DC-1GHz	1.15:1 DC to 1.0 GHz
	±0.3	

50 / 100 WATTS (1000 watts peak)

When mounted to a heat sink maintaining case temp at 100°C max.
Connector type SMA standard - type "N" available.



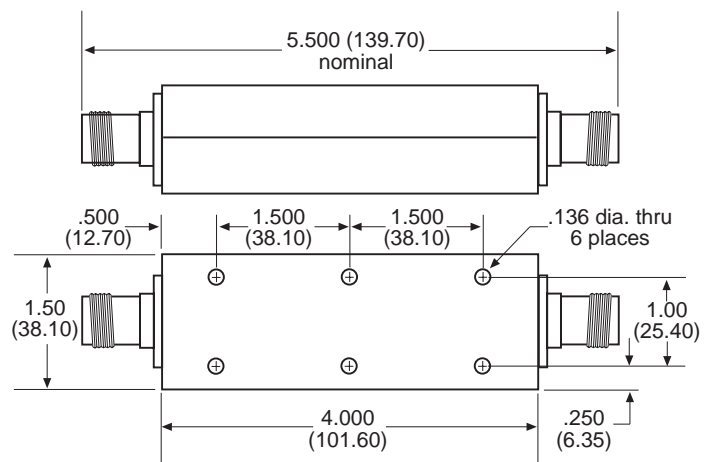
1 to 40 dB

PART NUMBER: RPAX-250

FREQUENCY RANGE	ATTENUATION ACCURACY (dB)			VSWR (max.)		
	dB	DC-1 GHz	1-2.4 GHz			
	DC - 2.4 GHz	0.5 - 3	±0.3		±0.75	1.15:1 DC to 1.0 GHz 1.25:1 1.0 to 2.4 GHz
		3 - 10	±0.5		±1.0	
10 - 40		±0.5	±1.5			

250 WATTS (2 KW peak)

When mounted to a heat sink maintaining case temp at 100°C max.
Connector type "N" standard - SMA available.



1 to 40 dB