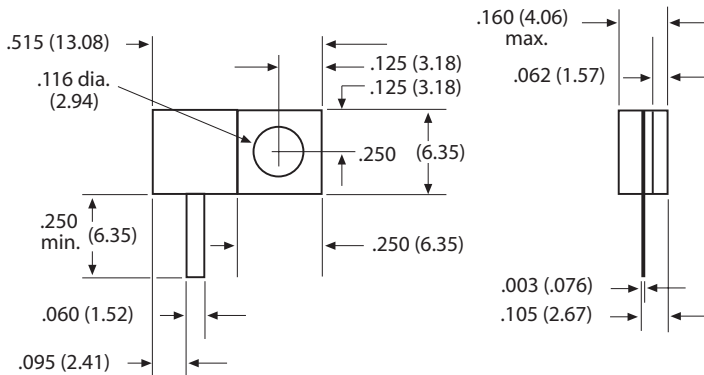


PERFORMANCE SPECIFICATIONS:

Part Number: RPT517-20
 Frequency: DC-4.0GHz
 VSWR (Max): 1.10:1 DC to 1.0 GHz
 1.15:1 1.0 to 2.0 GHz
 1.20:1 2.0 to 4.0 GHz

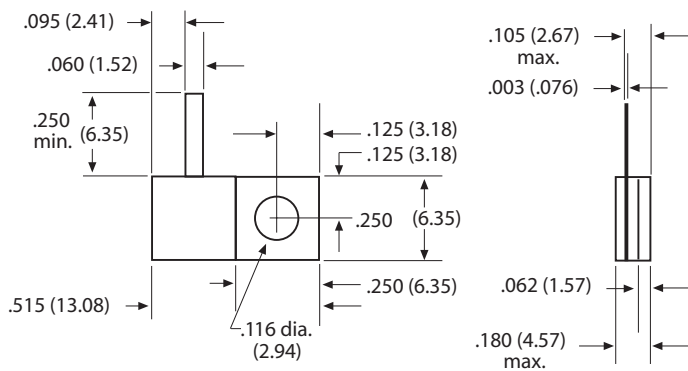
20 Watts (2KW Peak)



PERFORMANCE SPECIFICATIONS:

Part Number: RPT515-30
 Frequency: DC-4.0GHz
 VSWR (Max): 1.10:1 DC to 1.0 GHz
 1.15:1 1.0 to 2.0 GHz
 1.20:1 2.0 to 4.0 GHz

30 Watts (2KW Peak)



PERFORMANCE SPECIFICATIONS:

Part Number: RPT516-30
 Frequency: DC-4.0GHz
 VSWR (Max): 1.10:1 DC to 1.0 GHz
 1.15:1 1.0 to 2.0 GHz
 1.20:1 2.0 to 4.0 GHz

30 Watts (2KW Peak)

