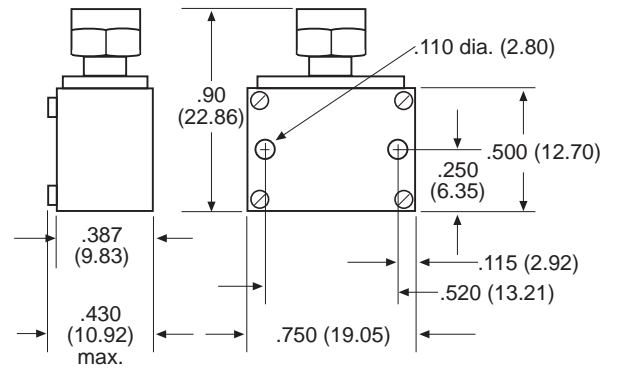


## SMA CONNECTORS

### PERFORMANCE SPECIFICATIONS:

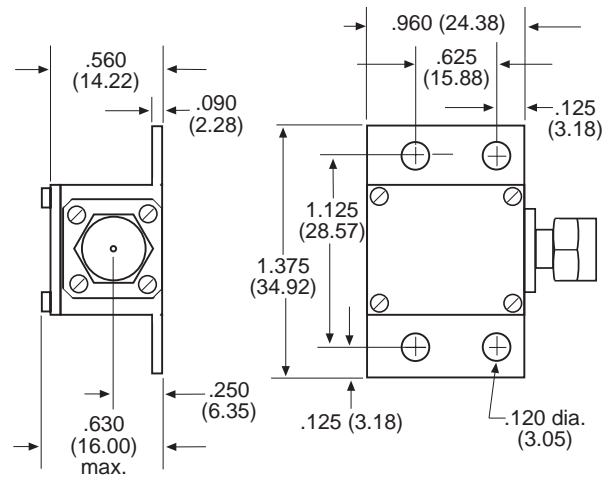
PART NUMBER	POWER (watts)	FREQUENCY RANGE	VSWR (max.)
RCX51SF	50	DC to 2 GHz	1.15:1
RCX51SM		2 to 4 GHz	1.25:1
RCX52SF	50	DC to 2 GHz	1.15:1
RCX52SM			



**50 WATTS (1KW peak)**

### PERFORMANCE SPECIFICATIONS:

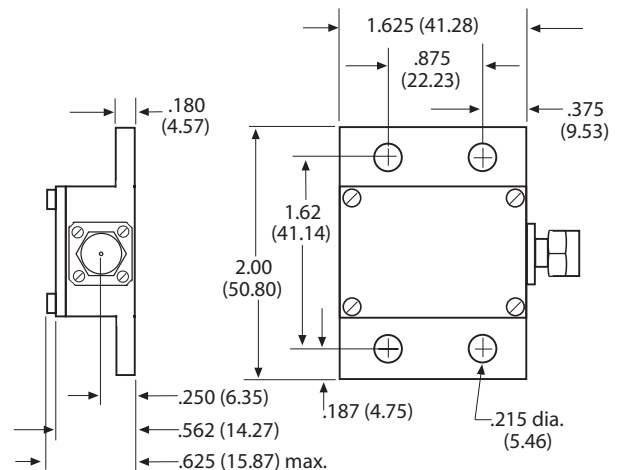
PART NUMBER	POWER (watts)	FREQUENCY RANGE	VSWR (max.)
RCX50SF	50	DC to 1 GHz	1.10:1
RCX50SM		1 to 2 GHz	1.15:1
RCX100SF	100	2 to 3 GHz	1.30:1
RCX100SM			



**50 & 100 WATTS (5KW peak)**

### PERFORMANCE SPECIFICATIONS:

PART NUMBER	POWER (watts)	FREQUENCY RANGE	VSWR (max.)
RCX150SF	150	DC to 1 GHz	1.10:1
RCX150SM		1 to 2 GHz	1.15:1
RCX250SF	250	2 to 3 GHz	1.30:1
RCX250SM			



**150, 250 WATTS (5KW peak)**