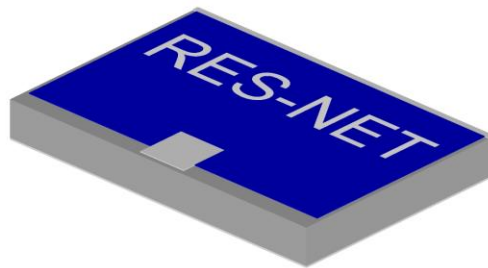


# RPC230-350NT50-2

## DC-3GHz HIGH POWER CHIP TERMINATION

The RCP230-350NT50-2 is internally matched to provide 26 dB of return loss up to 3GHz and is able to dissipate 100W of CW when properly mounted on a heat sink. This termination can be used to dissipate unwanted energy in combining networks as well as Circulators and Isolators.



### Features:

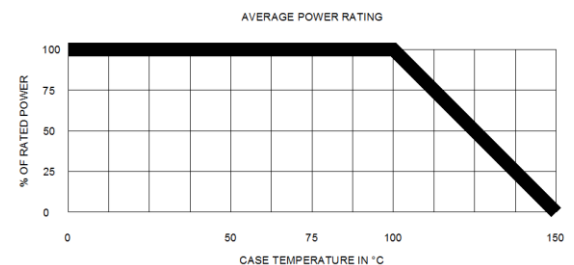
- Low VSWR
- Aluminum Nitride Substrate
- DC-3GHz
- 100W
- RoHs Compliant

### Applications:

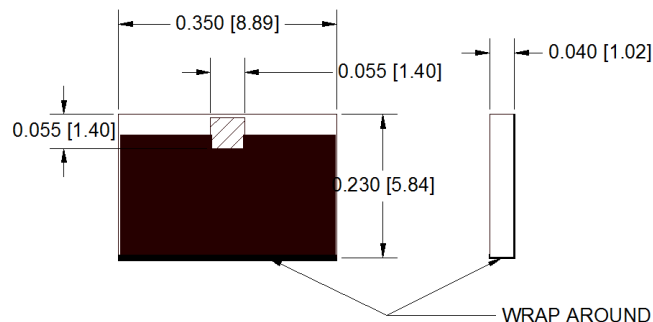
- Circulators
- Isolators
- Power amplifiers
- Combiners/Splitters

Electrical Specifications	
Resistance	50Ω ± 2%
Frequency Range	DC - 3 GHz
VSWR	1.1:1
Power Rating	100W
Operating Temperature	-55°C to +150°C

Material Specifications	
Substrate	Aluminum Nitride
Terminals Finish	Electroplated Tin over Nickel barrier
Resistive Film	Thick Film



### Mechanical Specifications

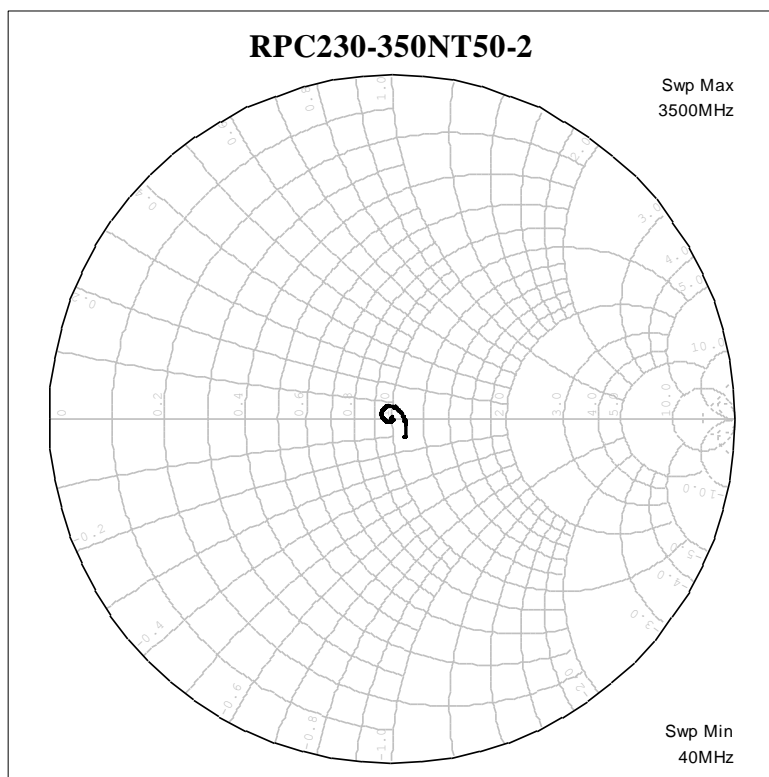
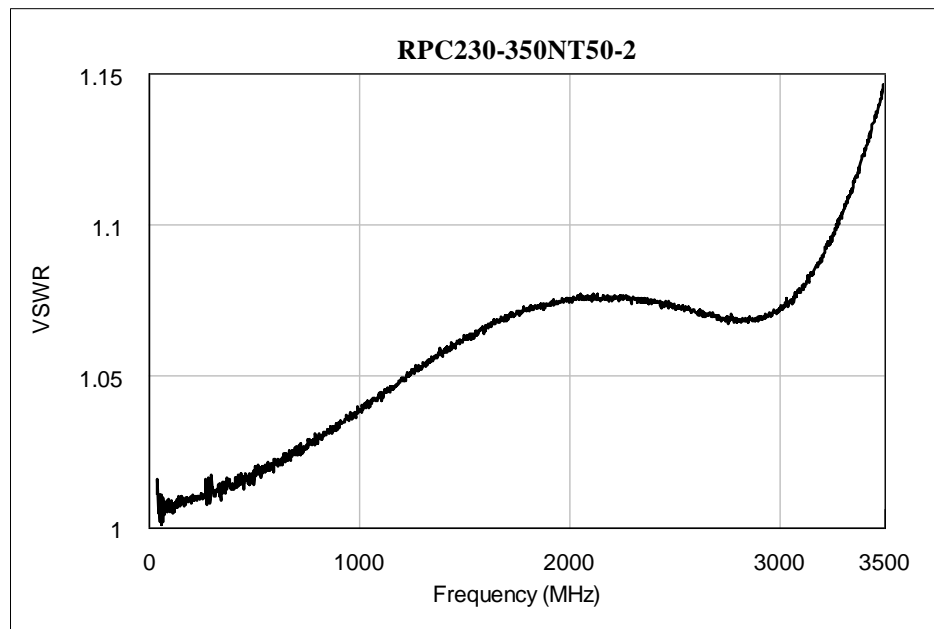


P.O. BOX 18802, Clearwater, FL 33762  
1-800-526-0704

# RPC230-350NT50-2

DC-3GHz HIGH POWER CHIP TERMINATION

## Typical Performance



P.O. BOX 18802, Clearwater, FL 33762  
1-800-526-0704