

# RNCAXXVW3

## DC-8GHZ SURFACE MOUNT ATTENUATORS

The RNCAXXVW3 offers excellent performance to 8GHz. This chip attenuator handles up to 1W. It can be used in power monitoring and matching applications in various commercial and military frequency bands. The RNCAXXVW3 is also RoHS Compliant.

### Features:

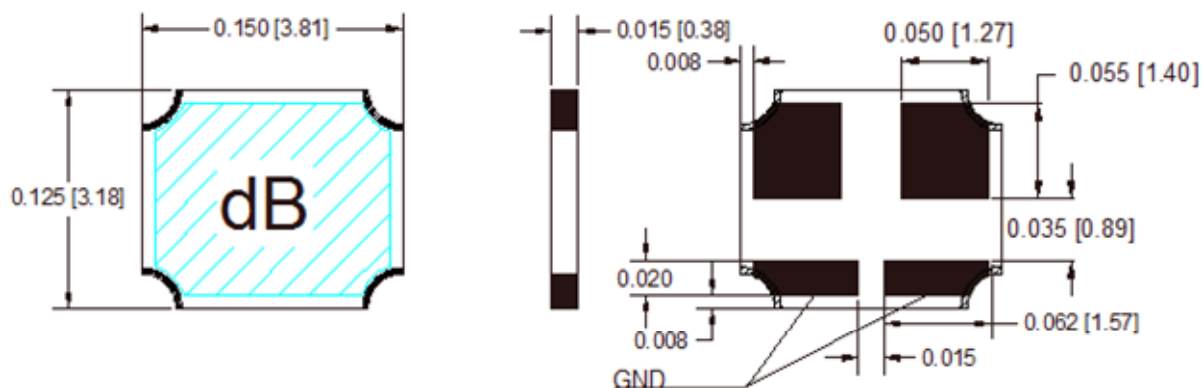
- Low VSWR
- DC-8GHz
- Alumina Substrate
- 1 Watt
- RoHS Compliant
- Available in Tape and Reel



### Specifications

- Impedance: 50 Ohms
- Frequency: DC – 8 GHz
- Power: 1 Watt
- Attenuation accuracy:
  - ±0.5 dB -- 1 to 6 dB
  - ±0.5 dB -- 7 to 9 dB
  - ±1.0 dB -- 10 to 12 dB
  - +0.5-2.0 dB -- 13 to 14 dB
  - +0.5-3.0 dB -- 15 to 18 dB
  - +0.5-4.0; dB -- 19 to 20 dB
- VSWR 1.35:1
- Terminal Finish: Electroplated Tin over Nickel barrier
- Operating Temperature: -55°C to 150°C

### Mechanical Outline



Dimensions are in inches [mm]

P.O. BOX 18802, Clearwater, FL 33762  
1-800-526-0704



# Electro Technik Industries

RES-NET MICROWAVE

## Capacitive Products

**Arizona Capacitors, Inc.**  
1100 S. Plumer Avenue, Tucson, AZ 85719  
tel: 520-573-0221 fax: 520-573-0520  
azcapsales@electrotechnik.com  
www.arizonacapacitors.com

- Wound Film Capacitors and Electronic Filters

**Custom Suppression, Inc.**  
1100 S. Plumer Avenue, Tucson, AZ 85719  
tel: 520-573-0223 fax: 520-573-0520  
csisales@electrotechnik.com  
www.customsuppression.com

- Broadband, Microwave, EMI, and RFI Filters, Filtered Connectors, and Assemblies

## Microwave Products

**Res-Net Microwave, Inc.**  
P.O. Box 18802, Clearwater, FL 33762  
tel: 727-530-9555 fax: 727-531-8215  
res\_sales\_service@electrotechnik.com  
www.res-netmicrowave.com

- RF/Microwave Resistors, Attenuators, Terminations

**Wavetronix Corp.**  
P.O. Box 18802, Clearwater, FL 33762  
tel: 727-530-9555 fax: 727-531-8215  
wave\_sales\_service@electrotechnik.com  
www.wavetronix-eti.com

- RF/Microwave Cable Assemblies and Semi-Rigid Coaxial Cables

## Resistive Products

**Tepro of Florida, Inc.**  
P.O. Box 18802, Clearwater, FL 33762  
tel: 727-796-1044 fax: 727-791-7425  
tep\_sales\_service@electrotechnik.com  
www.tepro-vamistor.com

- Wirewound and Metal Film Resistors

**Vamistor**  
P.O. Box 1260, Clearwater, FL 33757  
tel: 727-796-1044 fax: 727-791-7425  
tep\_sales\_service@electrotechnik.com  
www.tepro-vamistor.com

- Carbon Film and RL 42 Resistors

## Magnetics Products

**Hytronics Corp.**  
P.O. Box 18802, Clearwater, FL 33762  
tel: 727-535-0413 fax: 727-531-1592  
hy\_sales\_service@electrotechnik.com  
www.hytronicscorp.com

- Power Transformers and Power Inductors

**Raycom Electronics, Inc.**  
P.O. Box 250, 1 Raycom Rd.  
Dover, PA 17315  
tel: 717-292-3641 fax: 717 292-2919  
raycomsaleservice@electrotechnik.com  
www.raycomelectronics.com

- Custom Military and Avionics Magnetics

## Goguen Industries

1100 S. Plumer Avenue, Tucson, AZ 85719  
tel: 520-573-0221 fax: 520-573-0520  
goguensales@electrotechnik.com  
www.goguenindustries.com

- Specialty Inductors, Transformers, and Air Coils

**Inductive Technologies, Inc. (I-Tech)**  
P.O. Box 18802, Clearwater, FL 33762  
tel: 727-532-4459 fax: 727-531-1592  
i-techsales@electrotechnik.com  
www.inductech.com

- Standard Catalog Inductors and Transformers

**Winatic Corp.**  
P.O. Box 18802, Clearwater, FL 33762  
tel: 727-538-8917 fax: 727-531-1592  
win\_sales\_service@electrotechnik.com  
www.winatic.com

- Transformers and Inductors for Medical Devices and Equipment

P.O. BOX 18802, Clearwater, FL 33762  
1-800-526-0704